

徐工徐工 助您成功  
XCMG FOR YOUR SUCCESS



# XC770K 滑移装载机

SKID LOADER



 [Machmall.com](http://Machmall.com)

Web: [machmall.com](http://machmall.com)  
Tel: +86-516 8773 9797  
E: [machmall@xcmg.com](mailto:machmall@xcmg.com)



## **XC770K** 滑移装载机 SKID LOADER

XC770K是徐工推出的一款全新的重载型滑移装载机，整机采用大功率发动机，增大整机流量，满足更多机具的使用要求。整机加大轴距，保证高负荷下的稳定性和安全性。主要用于国内除雪市场与市政养护等大负荷作业工况。

XC770K is an all-new heavy-load skid-steer loader launched by XCMG. This machine is equipped with high power engine to enhance the overall flow and meet the operation needs of numerous attachments. The extended wheelbase of this machine guarantees the stability and safety under high load. It's mainly applied for high-load working conditions including domestic snow-removing market and municipal maintenance field.

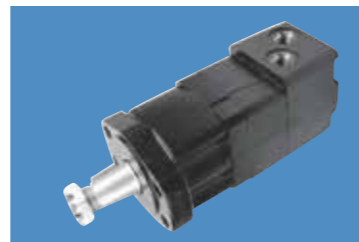
# XC770K 优势亮点

## Advantages and Features

### 动力强劲，节能高效

#### STRONG POWER AND HIGH ENERGY-CONSERVATION AND EFFICIENCY

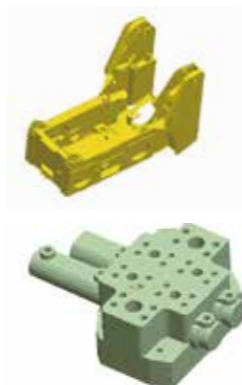
- 配置知名品牌发动机，马力强劲，超低排放，燃油效率更高。  
The renowned brand engine equipped features strong power, ultra-low emission, and higher fuel efficiency.
- 配置双速马达，最高速度可达22km/h，工作效率高。能够更快响应如快速除雪等紧急工况的需求。  
The double-speed motor with maximum speed up to 22km/h is installed to achieve high working efficiency.
- 采用静液压传动技术，传动平稳，高效可靠。  
It can respond faster to the needs of emergency working conditions such as rapid snow removing.
- 配置快换装置，可在施工现场快速更换适宜机具。  
The hydrostatic drive device is applied to realize quick change of appropriate attachments in the operation site.



### 平台化设计，可靠稳固

#### PLATFORM DESIGN FOR HIGH RELIABILITY AND FIRMNESS

- 车架按照滑移吨位系列化设计，结构可靠。所有关键结构件均通过有限元分析优化，应力分布合理。  
The serialization design is applied for the frame based on the skid-steer tonnage to realize high structural reliability. All critical structural parts are optimized by finite element analysis to realize reasonable stress distribution.
- 采用进口高品质液压元件，可靠性更高。  
The imported high-quality hydraulic parts are applied to realize higher reliability.



### 舒适的操作环境

#### COMFORTABLE OPERATING ENVIRONMENT

- 徐工滑移装载机引入“功能分区”概念，以用户操作舒适性为设计导向，将钥匙开关、各报警指示灯、主要仪表集成在驾驶室右侧立柱上；整机翘板开关集成在驾驶室左侧立柱上，预留大流量和机具开关位置；将部分使用频次较高的喇叭与机具控制开关（如铣刨器油缸控制）集成在左、右手柄（预留选配）。

The "Functional zone" concept is introduced and the design of user's operation comfort is oriented for the XCMG's skid-steer loaders. The key switch, various warning and indicator lamps, and main instruments are integrated on the right pillar of the cab. The rocker switches of the machine are integrated on the left pillar of the cab and the locations of high flow and attachment switches are reserved. Some frequently used horn and attachment control switches (Such as planer cylinder control switch) are integrated on the left and right joysticks (Optional).



- 操纵杆、仪表盘均按照人体工程学优化布置，确保各体型驾驶人员都能保持最佳舒适度，作业更轻松。

The layout of joysticks and the instrument panel is optimized in accordance with ergonomic principles so that all drivers of different body sizes can always maintain the best comfort to make operations easier.

- 整机耐寒性能更强，能够在-25摄氏度以上的环境中工作。驾驶室内部加大供暖效率，提高用户寒冷环境的使用舒适性。采用冷暖一体式空调，优化风道结构，风量大，操作环境更适宜。

- This machine can work under the environment with  $>-25^{\circ}\text{C}$  temperature, featuring high cold resistance. The heating efficiency is enhanced for the interior of cab to improve the user's operation comfort under cold environment. The integral heating and air conditioning system is applied and the air passage structure is optimized to achieve high airflow rate and more appropriate operation environment.

- 驾驶室空间宽敞，座椅可调。驾驶室宽度提升到930mm，高度提升至1232mm。座椅采用悬浮座椅，极大的提升了舒适性。

- The cab features a broad space and the seat is adjustable. The width of the cab is increased to 930mm and the height is increased to 1,232mm. The air-cushioned seat is applied to remarkably improve the comfort.

- 标配双油门控制模式，可使用脚油门或设定恒定功率工作，操作省力。

The standard double-accelerator control model can use the pedal accelerator or work at preset constant power to save the operation labor.



### 更多安全设计

#### MORE SAFETY DESIGNS

- 驾驶室配置安全带，保险杆、灭火器、救生锤等，确保操作者人身安全。

The cab is equipped with seat belt, bumper bar, fire extinguisher, and life hammer to safeguard the operator.

- 驾驶门内和驾驶室内部安全栏增加接近开关，只有保证安全栏放下同时关闭驾驶室门，机器才能正常工作或行走，避免不规范操作引起的事故及隐患。

The proximity switches are added in the cab and for the cab internal safety grid to ensure that the machine can work or drive normally only after the safety grid is lowered and the cab doors are closed, in order to prevent the accidents and potential dangers arising from any violation of standard operation procedure.

- 动臂未降至最低位，发动异常熄火且无法重启时，坐在驾驶室外的驾驶员可手动将动臂落下，开门从驾驶室出来，保障驾驶员人身安全。

If the engine stops abnormally and fails to restart and the boom is not lowered to the lowest position, the driver sitting in the cab can manually lower the boom, open the door, and get off from the cab to guarantee the driver's personal safety.

# XC770K 维修保养，轻松便捷

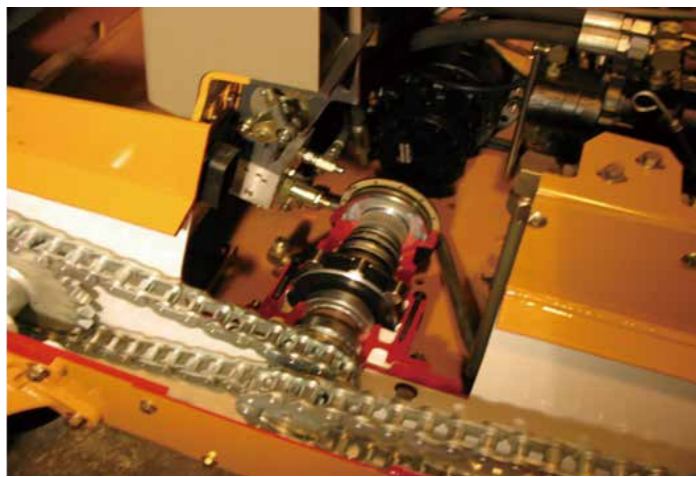
## Convenient Maintenances

### 链轮箱免维护

#### MAINTENANCE-FREE SPROCKET CASE

- 徐工滑移装载机采用链轮箱整体设计结构，标配高强度免维护链条，产品在用户使用过程中，无须经过二次张紧，减少用户因链条定期调整的停车时间。

XCMG's skid-steer loader is applied with sprocket case of integral structure design and standard high-strength maintenance-free chain. During the use of this product, no secondary tension is required to reduce the user's downtime due to periodical adjustment of chain.



### 一站式维护

#### ONE-STOP MAINTENANCE

- 维护点集中在车辆后部，保证不掀起驾驶室真正实现一站式维修保养。  
The maintenance points are concentrated on the rear of the machine to realize the one-stop repairs/maintenances without uplifting the cab.
- 驾驶室可大角度后翻，维修保养部位更易接近。  
The cab can be tilted backward for a large angle to make the repair and maintenance portions more accessible.
- 后罩、上罩开启方便，各元件和管路均触手可及，维修保养省时、省力。  
The cab can be tilted backward for a large angle to make the repair and maintenance portions more accessible.



# XC770K 一机多用

## Multiple applications

### 多机具适用性应用

#### MULTI-ATTACHMENT ADAPTABILITY APPLICATION

- 通过市场调研与试验研究，徐工滑移装载机在整机与机具的工作环境的适用性做了大量的研究。增加浮动位功能，使动臂可以跟随不平的地面上下浮动，满足更多工况需要；增加过载补油阀，消除油缸到极限位时的冲击，还能防止油缸吸空，提高整机使用寿命；选用双联工作泵，XC770K标准流量91L/min，大流量158L/min，满足更多机具使用要求。
- By means of market survey and test research, XCMG's skid-steer loader has made a great amount of researches on the working environment adaptability of machine and attachments. The floating position function is added so that the boom can float vertically along the rugged ground to meet the needs of more working conditions. The overload refilling valve is added to eliminate the impact of cylinder at limit positions, prevent the empty suction of cylinder, and prolong the life of machine. The duplex working pump is applied for XC770K to realize 91L/min standard flow and 158L/min high flow and meet the working needs of more attachments.



- 国际通用的快换装置，能够快速方便的更换斜角清扫器、抛雪机、铣刨器、破碎锤等数十种属具。
- The international interchangeable quick change coupling enables the rapid and convenient change among tens of attachments, including angle sweeper, snow blower, planer, and breaking hammer.

### 快换装置

#### QUICK CHANGE COUPLING



- 徐工滑移装载机可快速更换不同作业属具，满足用户多种作业需求。  
XCMG's skid-steer loader allows the quick change among different attachments to meet the user's diversified operation needs.
- 机械接口：机械快速连接，销子锁定机构。  
Mechanical interface: Quick mechanical connection and pin locking mechanism.
- 液压接口：液压接口国际标准，快插方式，快速连接，密封性好。  
Hydraulic interface: International standard hydraulic interface, quick-plug mode, quick connection, and good sealing performance.

# XC770K 一机多用 Multiple Applications

斜角清扫器  
Inclined sweeper



适用工况：可快速、有效的清除薄雪、灰尘、黏着的干泥土和其它废料，非常适合清扫公路、人行道、车道、停车场、飞机跑道和仓库等。适合清扫松软积雪（厚度 15cm），及清扫推、抛残余残雪。

Applicable working condition: It can rapidly and effectively remove the thin snow, dusts, viscous dry mud, and other wastes and is especially suitable for sweeping of roads, sidewalks, driving lanes, parking lots, runways, and warehouses.

It's applicable for sweeping accumulated soft snow (In thickness of ≤15cm) and snow piles and blowing residual snow.

| 指标<br>Parameter                | 单位<br>Unit | 60"   | 72"    | 84"    |
|--------------------------------|------------|-------|--------|--------|
| 长度<br>Length                   | mm         | 1625  | 1625   | 1625   |
| 宽度<br>Width                    | mm         | 1804  | 2163   | 2435   |
| 高度<br>Height                   | mm         | 870   | 870    | 870    |
| 重量<br>Weight                   | kg         | 480   | 520    | 550    |
| 工作压力<br>Working pressure       | Mpa        | 16-21 | 16-21  | 16-21  |
| 工作流量<br>Working flow           | L/min      | 70-85 | 80-100 | 80-100 |
| 工作宽度<br>Working width          | mm         | 1500  | 1800   | 2100   |
| 偏转角度<br>Deflection angle       | °          | ±30   | ±30    | ±30    |
| 30° 清扫宽度<br>30° sweeping width | mm         | 1250  | 1550   | 1850   |

适配机型：XC760K/ XC770K  
Applicable model: XC760K/SC770K

推雪铲  
Snow plough



适用工况：适用于市政道路松土、积雪等物料清理。适合清扫普通厚度的积雪（厚度 30cm），可将积雪推至指定位置，而后清理。特点：遇高处路面井盖等障碍物时，推雪铲自动倾斜越过障碍物，并自动回位。

Applicable working condition: It's suitable for sweeping of materials such as municipal road soil and accumulated snow. It's applicable for sweeping the accumulated snow of common thickness (In thickness of ≤30cm) and can push the accumulated snow to designated position for sweeping.

Features: Upon detection of high obstacles such as road manhole cover, the snow plough can tilt automatically to overpass the obstacles and then return automatically.

| 指标<br>Parameter                  | 单位<br>Unit | 60"   | 72"   | 84"   |
|----------------------------------|------------|-------|-------|-------|
| 长度<br>Length                     | mm         | 1010  | 1010  | 1010  |
| 宽度<br>Width                      | mm         | 1500  | 1830  | 2130  |
| 高度<br>Height                     | mm         | 978   | 978   | 978   |
| 重量<br>Weight                     | kg         | 256   | 270   | 287   |
| 工作压力<br>Working pressure         | Mpa        | 14-21 | 14-21 | 14-21 |
| 偏转角度<br>Deflection angle         | °          | ±30   | ±30   | ±30   |
| 30° 作业宽度<br>30° working width    | mm         | 1300  | 1580  | 1845  |
| 避障高度<br>Obstacle-avoiding height | mm         | 80    | 80    | 80    |

适配机型：XC760K/ XC770K  
Applicable model: XC760K/SC770K

抛雪机  
Snow blower



适用工况：适用于城市道路、物业小区水泥、沥青路面积雪清理。适合清扫较厚的积雪（厚度 > 30cm）。特点：抛雪角度可调节。满足用户往路边或卡车吹雪需求。

Applicable working condition: It's suitable for sweeping the accumulated snow from city roads and resident community cement and asphalt roads.

It's applicable for sweeping thick accumulated snow (In thickness of >30cm).

Features: The snow blowing angle is adjustable to meet the user's snow blowing need towards roadside or truck.

| 指标<br>Parameter                         | 单位<br>Unit | 72"     | 84"     |
|---|------------|---------|---------|
| 长度<br>Length                            | mm         | 1120    | 1120    |
| 宽度<br>Width                             | mm         | 1896    | 2200    |
| 高度（高抛）<br>Height                        | mm         | 3458    | 3458    |
| 重量<br>Weight                            | kg         | 544     | 578     |
| 工作压力<br>Working pressure                | Mpa        | 21      | 21      |
| 工作流量<br>Working flow                    | L/min      | 120-150 | 120-150 |
| 最远抛雪距离<br>Largest snow blowing distance | m          | 12      | 12      |
| 最大装车高度<br>Maximum loading height        | m          | 3.3     | 3.3     |

适配机型：XC770K  
Applicable model: SC770K

闭式清扫器  
Closed sweeper



适用工况：适用于公路养护、港口、码头道路施工。与铣刨机配合使用，清理铣刨后的路面。

Applicable working condition: It's suitable for road maintenances and port and harbor road constructions. It works with the milling machine to clean the milled roads.

| 指标<br>Parameter                     | 单位<br>Unit     | 60"   | 72"   | 84"   |
|-------------------------------------|----------------|-------|-------|-------|
| 长度<br>Length                        | mm             | 1400  | 1450  | 1400  |
| 宽度<br>Width                         | mm             | 1817  | 2117  | 2466  |
| 扫刷直径<br>Diameter of sweeping brush  | mm             | 660   | 660   | 660   |
| 重量<br>Weight                        | kg             | 374   | 426   | 625   |
| 工作压力<br>Working pressure            | Mpa            | 14-24 | 14-24 | 14-24 |
| 工作流量<br>Working flow                | L/min          | 60-80 | 60-80 | 75-90 |
| 集料斗斗容<br>Collecting bucket capacity | m <sup>3</sup> | 0.39  | 0.46  | 0.56  |
| 清扫宽度<br>Sweeping width              | mm             | 1530  | 1830  | 2130  |

适配机型：XC740K/ XC760K/ XC770K  
Applicable model: XC740K/ XC760K/ SC770K

铣刨器  
Planer



适用工况：小范围沥青、水泥等路面铣刨，适用于市政、道路养护。与闭式清扫器配合使用。

Applicable working condition: It's suitable for small-area milling of asphalt and cement roads and applicable for municipal and road maintenances. It's used with closed-type sweeper.

| 指标<br>Parameter           | 单位<br>Unit | 600    | 450    |
|---------------------------|------------|--------|--------|
| 长度<br>Length              | mm         | 1278   | 1278   |
| 宽度<br>Width               | mm         | 1651   | 1651   |
| 高度<br>Height              | mm         | 711    | 711    |
| 重量<br>Weight              | kg         | 680    | 630    |
| 切割宽度<br>Cutting width     | mm         | 610    | 457    |
| 切割深度<br>Cutting depth     | mm         | 0-152  | 0-152  |
| 刀头数量<br>Number of cutters | mm         | 84     | 48     |
| 工作压力<br>Working pressure  | Mpa        | 21     | 21     |
| 工作流量<br>Working flow      | L/min      | 80-150 | 80-150 |

适配机型：XC760K/ XC770K  
Applicable model: XC760K/SC770K

井盖铣刨器  
Manhole cover planer



适用工况：城市路面破损井盖的铣刨工作，可大大提高城市路面井盖的更换效率，减少维护时间。

Applicable working condition: It's suitable for the milling operation of damaged manhole covers on urban roads and can remarkably promote the replacement efficiency of manhole covers on urban roads and reduce the maintenance time.

|                                 |       |                |
|---------------------------------|-------|----------------|
| 操作中重量<br>Operating weight       | Kg    | 900            |
| 推荐流量<br>Recommended flow        | L/min | 60-120         |
| 工作压力<br>Working pressure        | MPa   | 20             |
| 马达排量<br>Motor displacement      | ML/r  | 1250           |
| 最大输出扭矩<br>Maximum output torque | Nm    | 4000           |
| 切削半径<br>Cutting radius          | mm    | 600-750        |
| 到头数量<br>Number of cutters       | pcs   | 12             |
| 输出转速<br>Output speed            | r     | 50-95          |
| 运输尺寸<br>Transport sizes         | mm    | 1400x1200x1500 |

适配机型：XC760K（大流量）/ XC770K  
Applicable model: SC760K (High flow)/XC770K

# XC770K 一机多用 Multiple Applications



破碎锤  
Breaking hammer

适用工况：路面破碎。适用于户内或高度受限的户外作业，是大面积破碎的理想工具。

Applicable working condition: Breaking of roads. It's applicable for user's outdoor operations with limited interior space or height and is an ideal tool for large-area breaking.



螺旋钻  
Twist drill

适用工况：土钻。适用树立标牌、栽树、电力电杆、市政园林等钻孔作业。

Applicable working condition: Soil boring. It's applicable for drilling operations for guidepost setup, tree planting, electricity pole setup, and municipal gardens.



连续式开沟机  
Continuous ditcher

适用工况：开沟、铺设管道及水渠的开挖。适用于市政、农牧场维护。

Applicable working condition: Ditching, pipeline pavement, and channel digging. It's applicable for municipal and farm/ranch maintenances.

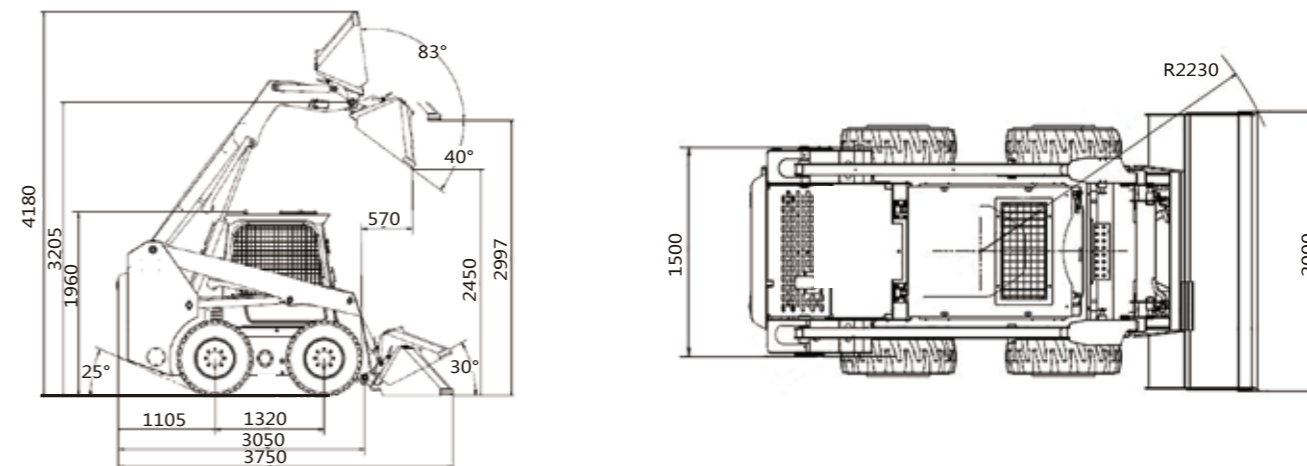
|                              |       |              |
|------------------------------|-------|--------------|
| 操作重量<br>Operating weight     | kg    | 564          |
| 总长<br>Overall length         | mm    | 1680         |
| 工作油压<br>Working oil pressure | bar   | 110-140      |
| 流量范围<br>Flow range           | L/min | 40-70        |
| 锤芯品牌<br>Brand of hammer core |       | 水山<br>Soosan |
| 冲击频率<br>Impact frequency     | Bpm   | 500-900      |
| 钎杆直径<br>Shank diameter       | mm    | 68           |
| 冲击功<br>Impact energy         | J     | 700          |
| 管路尺寸<br>Pipeline size        | mm    | 2800         |

适配机型：XC740K/XC760K/XC770K

|                                     |       |   |
|-------------------------------------|-------|---|
| 最大钻孔直径<br>Maximum drilling diameter | mm    | 400/600                                   |
| 马达所需流量<br>Required flow of motor    | L/min | 60-80                                     |
| 适配机型：<br>Applicable model:          |       |   |
|                                     |       | XC740K:400 × 1200(孔径 × 深度)                |
|                                     |       | XC740K:400 × 1200 (Bore diameter × depth) |
|                                     |       | XC760K(标准流量):400 × 1500(孔径 × 深度)          |
|                                     |       | XC760K(Standard flow):                    |
|                                     |       | 400 × 1500 (Bore diameter × depth)        |
|                                     |       | XC760K(大流量)/XC770K600 × 1500、             |
|                                     |       | 600 × 2000(孔径 × 深度)                       |
|                                     |       | XC760K(High flow)/XC770K600 × 1500、       |
|                                     |       | 600 × 2000 (Bore diameter × depth)        |

|                            |       |                                     |
|----------------------------|-------|-------------------------------------|
| 开掘深度<br>Digging depth      | mm    | 1200                                |
| 开掘宽度<br>Digging width      | mm    | 120                                 |
| 开沟速度<br>Digging speed      | m/min | 7                                   |
| 重量<br>Weight               | kg    | 524                                 |
| 适配机型：<br>Applicable model: |       |                                     |
|                            |       | XC760K(标准流量):1200 × 150(开沟深度 × 宽度)  |
|                            |       | XC760K (Standard flow):             |
|                            |       | 1200 × 150 (Ditching depth × width) |
|                            |       | Xc760K(大流量)/                        |
|                            |       | XC770K 1500 × 200(开沟深度 × 宽度)        |
|                            |       | Xc760K (High flow)/XC770K:          |
|                            |       | 1500 × 200 (Ditching depth × width) |

# XC770K 外形尺寸 Overall dimensions



## 主要参数 MAIN SPECIFICATIONS

|                                    | 项目                          | Description                                 | 单位 Unit     | XC770K   |
|------------------------------------|-----------------------------|---|-------------|--|
| 发动机<br>Engine                      | 制造商                         | Manufacturer                                |             | 山东潍柴 Shandong Weichai  |
|                                    | 型号                          | Model                                       |             | WP4.1  |
|                                    | 额定功率                        | Rated power                                 | HP(Kw) /rpm | 100.4(74.9)/2400   |
|                                    | 排放标准                        | Emission standard                           |             | 国三 Chinese-III   |
| 工作液压系统<br>Working hydraulic system | 标准流量                        | Standard flow                               | L/min       | 91.2   |
|                                    | 选配大流量                       | Optional high flow                          | L/min       | 158.4  |
|                                    | 系统压力                        | System pressure                             | bar         | 210  |
|                                    | 最大行驶速度                      | Maximum traveling speed                     | Km/h        | 11   |
| 行走系统<br>Traveling System           | 可选2档最大行驶速度                  | Optional two-speed, maximum traveling speed | Km/h        | 22   |
|                                    | 轮胎型号                        | Tire specification                          |             | 12-16.5  |
|                                    | 操纵方式                        | Control mode                                |             | 先导液控&多功能电控<br>Pilot hydraulic control & multifunctional electronic control |
| 操纵<br>Control system               | 操作重量                        | Operating weight                            | Kg          | 3700   |
|                                    | 额定载荷                        | Rated load                                  | Kg          | 1250   |
| 装载性能<br>Loading performance        | 静态倾翻载荷                      | Static tipping load                         | Kg          | 2500   |
|                                    | 崛起力                         | Breakout force                              | kN          | 22   |
|                                    | 铲斗铰接销高度                     | Bucket hinge pin height                     | mm          | 3205   |
|                                    | 驾驶室顶部高度                     | Cab roof height                             | mm          | 1960   |
|                                    | 不带铲斗长度                      | Length without bucket                       | mm          | 3050   |
|                                    | 带铲斗长度                       | Length with bucket                          | mm          | 3750   |
|                                    | 倾角                          | Dumping angle                               | °           | 40   |
|                                    | 最大卸载高度                      | Maximum dumping height                      | mm          | 2450   |
|                                    | 卸载距离                        | Dumping range                               | mm          | 570  |
|                                    | 轴距                          | Wheelbase                                   | mm          | 1320   |
|                                    | 离去角                         | Departure angle                             | °           | 25   |
|                                    | 离地间隙                        | Ground clearance                            | mm          | 205  |
|                                    | 前转弯半径(带铲斗)                  | Front turning radius (With bucket)          | mm          | 2230   |
|                                    | 轮距                          | Wheel tread                                 | mm          | 1500   |
| 轮胎边缘宽度                             | Tire edge width             | mm  | 1807        |  |
| 铲斗边缘宽度                             | Bucket edge width           | mm  | 2000        |  |
| 铲斗容量(堆高)                           | Bucket capacity (High heap) | m <sup>3</sup>                              | 0.6         |  |
| 柴油箱容量                              | Diesel tank capacity        | L   | 108         |  |
| 液压油箱容量                             | Hydraulic oil tank capacity | L   | 80          |  |

XC770K 外形尺寸  
Overall dimensions  
www.machmall.com  
machmall@xcmg.com



Machmall.com is an electromechanical product platform officially launched by XCMG, aiming to provide global customers with a complete set of high-quality construction machinery solutions and supporting equipment.

Xuzhou Construction Machinery Group Co., Ltd. (XCMG Group), founded in 1943, is the fourth largest worldwide construction machinery manufacturer and the largest in China with products covering 183 countries and regions.

XCMG have 12 complete solutions: Crane lifting, Mining Construction, Earth-moving Solutions, Road Machinery, Concrete Equipment, Tunnel and Underground Space Construction, Mobile Elevating Work Platform (MEWP), Piling and Non-excavation Equipment, Transportation Equipment, Environmental Sanitation Equipment, Firefighting, Safety and Emergency Rescue


徐工徐工，助您成功

— XCMG for your success —



 <https://www.machmall.com/>

 [machmall@xcmg.com](mailto:machmall@xcmg.com)

 0086 18652 183963  
86-516 8773 9797

